

SIMPLY

X-RAY SYSTEM FOR VETERINARY APPLICATIONS



Touch screen
console

Fully adjustable
A.P.R.



Removable grid

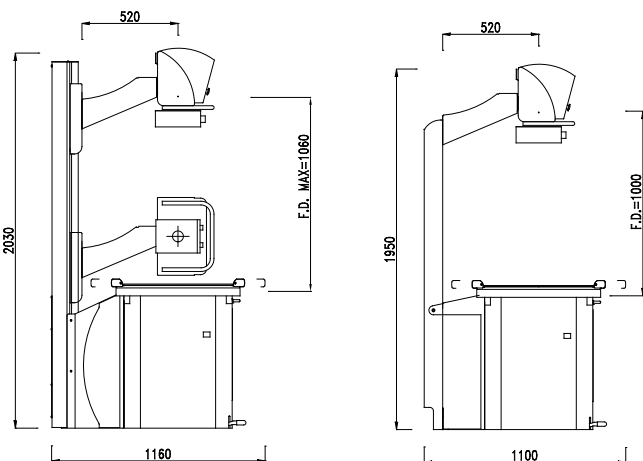
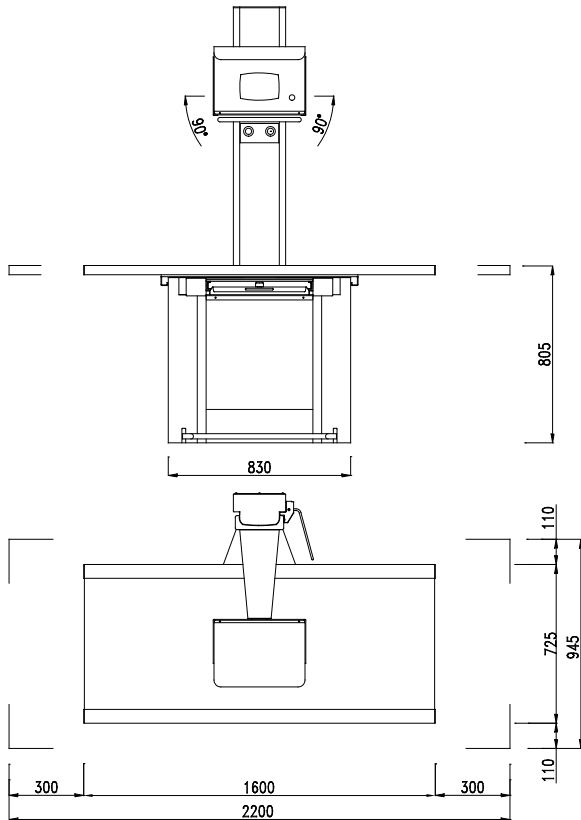


Wide range of
accessories and
options



ARCOM
IMAGING THROUGH METAL

Technical Features



Structure Features

- » Integrated compact structure (power group under table, integrated monoblock)
- » Coloured widescreen 7" LCD touch panel console
- » Friendly user interface
- » 4 ways floating tabletop
- » Mechanical and ergonomic brakes
- » Self centering cassette support
- » Removable grid support for all type of exams
- » Customizable colour and logo
- » Manual collimation, square field
- » **UPGRADABLE TO DIGITAL**

Generator Features

- » Single phase power supply 115/230Vac (50/60 Hz)
- » Max power 30 kW
- » High frequency
- » Working modalities:
 - » integrated APR
 - » 2 parameters technique (Kv and mAs)
 - » 3 parameters technique (Kv, mA, mS)
- » Storage of alarm messages
- » Voltage Range: from 40 kV to 125 kV
- » Current Range: from 32 to 400 mA
- » Time Range: from 3 to 2000 ms
- » Rotating Anode
- » Small Focus: 0,6 mm
- » Large Focus: 1,3 mm

APR TECHNIQUE:

- » 2 or more sections of investigation (dog-like and cat-like)
- » 8 anatomical areas each section
- » More than 1000 exams each area
- » 3 patient sizes
- » Focus selection
- » Programmable data:
 - » Accessories
 - » X-Ray parameters (Kv, mA, mAs, ms)
 - » X-Ray tube focus

Accessories and Optional

- » Cleats, rope ties for hips examination (dysplasia)
- » Tabletop size on demand (base 1600mm, 100mm extra length till 2000mm)
- » Inclined plane for myelographic examination, with integrated vertical cassette holder
- » Variable Focal Distance
- » Rotation of X-ray source ($\pm 90^\circ$)

Features could change with no advice